

TANNOY®



revolution

IT BEGINS...



# REVOLUTION IN THE AIR

**Refined yet passionate, articulate yet authoritative, elegant yet demanding of attention: Tannoy Revolution changes the face of loudspeaker design.**

From the luxurious real wood finish trapezoidal cabinets to Tannoy's unique Dual Concentric™ drive unit, the Revolution loudspeaker range blends more than 80 years of Tannoy's world renowned technology with cutting-edge contemporary design. Slim and stylish yet capable of musical excellence and movie performances to thrill the senses.

**Join the revolution!**

### **Revolutionary**

Revolution is a dynamic blend of design and performance set to transform music and movie entertainment in today's homes. By combining the latest technology, engineering principles and cabinet construction, the result is a compact, sumptuous loudspeaker with the accuracy, scale and drama of much larger traditional designs.

### **Play music**

In two channel systems Revolution excels at pin-point imaging and revealing the finest of musical details. The WideBand™ Dual Concentric™ driver delivers genuine three-dimension imaging underpinned by low frequency extension that combines sheer visceral attack with the expressive tonal detailing required for woodwind and bass string instruments.

### **Play movies**

With multi-channel music and film soundtracks, Revolution delivers a huge soundstage backed by stunning transient impact and deep bass effects. The voice-matched dialogue speaker uses an identical driver configuration to preserve seamless surround integration and crisp, timbre-perfect voices irrespective of genre or volume.

### **A real solution**

Whether you love music or movies, Beatles or Bach, drama or all-action adventure, Revolution delivers with passion and elegance in equal measure; opulent looks, powerful performance and ideally suited to the widest range of source formats from vinyl LP to DTS HD Master Audio.

# REVOLUTION... in sound and style



# HOME THEATRE

**Hand finished in a choice of Light Oak or the darker Espresso veneer, the Revolution range encompasses three models and a dedicated subwoofer to suit every installation.**

Mixing and matching the Revolution speakers to assemble your perfect home theatre system is made easy by the use of an identical voice matched Dual Concentric™ drive unit in each speaker, ensuring seamless integration of movie soundtracks. You may choose to combine the sleek and dynamic DC4 T floorstander with the high-intelligibility performance of the compact bookshelf DC4 and DC4 LCR

centre. You may decide DC4 LCR's all round, for front, centre and rear, suits your system requirement. Whatever your choice, you can be assured of a captivating and enthralling home theatre experience.

Potent bass performance and compelling low frequency effects are delivered by the compact Revolution subwoofer. Designed and finished to the same exacting standards

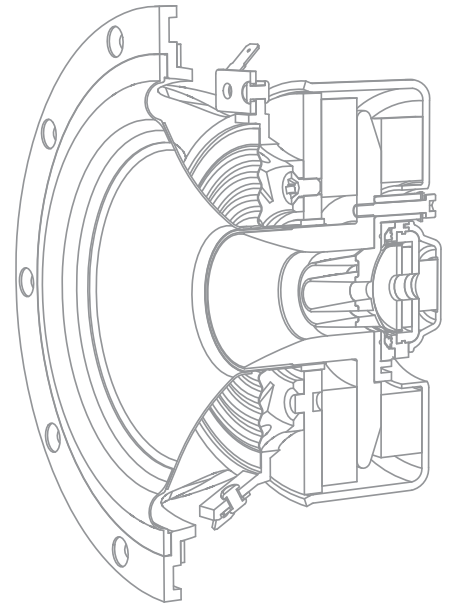
as the core models, inside its ultra-rigid veneer-finish cabinet is a muscular 160 Watt amplifier powering a forward firing, long throw 10" drive unit. Faithfully reproducing the impact, punch and drive of action movies, the Revolution subwoofer is articulate in both tonal balance and low frequency detailing. Comprehensive system connectivity ensures easy partnering with your home theatre electronics.

# REVOLUTION... serious technology at play

## Drive unit technology

Tannoy's Dual Concentric™ drivers have long been respected for their musical coherence, precision and detail. The Revolution range incorporates an ultra compact (100mm / 4.00") but high powered and wide bandwidth version of Tannoy's world renowned proprietary driver technology. The unit combines a multi fibre paper pulp low frequency cone and a titanium domed tweeter unit with a neodymium magnet system offering true point-source musical integrity and exceptional instrumental accuracy. The driver's rigid chassis and multi-point fixing augments Revolution's spacious, dynamic sound that thoroughly belies its elegant stature.

Further enhancing low frequency performance, a supplementary bass driver is integrated into the design of the DC4T floorstander and DC4LCR centre channel speaker.



## Audiophile crossover

Low loss laminated core inductors and audiophile-grade polypropylene capacitors are used exclusively throughout the Revolution range. This no-compromise approach ensures the best possible signal integrity to both the HF and LF sections of the Dual Concentric™ driver, enhancing the pin-sharp imaging and point-source musical integrity for which Tannoy's 'Dual' driver is famed.

## Optimum signal path

To minimise pathway signal losses and reduce interaction between individual components, internal structure and component topology is kept as simple as possible. This attention to fine detail runs throughout the Revolution design.

## Precious metal components

Silver-plated, high purity oxygen-free copper internal wiring and chromed speaker terminals are a true high-end feature of the Revolution range. These exotic components offer low-loss, high current signal transfer to ensure every musical nuance is reproduced.

## Trapezoid cabinets

Giving Revolution its distinctive look and compact footprint, the trapezoidal cabinet design reduces internal resonances and reflections. This acoustically ideal form combined with internal bracing enhances rigidity creating a speaker with incredibly low cabinet colouration.





# REVOLUTION SPECIFICATIONS



DC4



DC4 T



DC4 LCR

## PERFORMANCE

<b>Recommended amplifier power</b> (Watts RMS)	20 – 100	20 – 125	20 – 125
<b>Continuous power handling</b> (Watts RMS)	50	62	62
<b>Peak power handling (Watts)</b>	200	250	250
<b>Sensitivity</b> (2.83 Volts @ 1m)	87dB	87dB	87dB
<b>Nominal Impedance</b> (Ohms)	8	8	8
<b>Frequency response</b> (-6dB)	68Hz – 54kHz	54Hz – 54kHz	72Hz – 54kHz
<b>Dispersion</b> (degrees conical)	90	90	90

## DRIVE UNITS

<b>Dual Concentric™ high frequency</b>	19mm (0.75") Titanium dome With Tulip WaveGuide™	19mm (0.75") Titanium dome With Tulip WaveGuide™	19mm (0.75") Titanium dome With Tulip WaveGuide™
<b>Dual Concentric™ low frequency</b>	100mm (4") treated paper pulp cone with rubber surround. 33mm (1.33") edge wound voice coil	100mm (4") treated paper pulp cone with rubber surround. 33mm (1.33") edge wound voice coil	100mm (4") treated paper pulp cone with rubber surround. 33mm (1.33") edge wound voice coil
<b>Bass Driver</b>	- - - - -	100mm (4") treated paper pulp cone with rubber surround. 33mm (1.33") edge wound voice coil	100mm (4") treated paper pulp cone with rubber surround. 33mm (1.33") edge wound voice coil

## CROSSOVER

<b>Crossover frequency</b>	1.5kHz	1.5kHz	1.5kHz
<b>Crossover Type</b>	Passive low loss 2nd order LF, 1st order HF	Passive low loss 2nd order LF, 1st order HF	Passive low loss 2nd order LF, 1st order HF

## CONSTRUCTION

<b>Enclosure type</b>	Rear ported	Rear ported	Rear ported
<b>Volume</b>	3.4L (0.120 cu. ft.)	8.0L (0.283 cu. ft.)	5.5L (0.194 cu. ft.)
<b>Dimensions (H x W x D)</b> excl grille	270 x 152 x 162mm (10.63 x 5.98 x 6.38")	850 x 152 x 162mm (33.46 x 5.98 x 6.38")	152 x 307 x 162mm (5.98 x 12.08 x 6.38")
<b>Weight</b>	3.7kg (8.2lbs)	9.1kg (20.1lbs)	5.2kg (11.4lbs)
<b>Finish</b>	Light oak and Espresso	Light oak and Espresso	Light oak and Espresso



**Revolution Sub1001**

**PERFORMANCE**

<b>Output Power</b> (Watts RMS)	160
<b>Low Frequency response</b> (-6dB)	35Hz, in room typical response
<b>Inputs</b>	Stereo line and high level. Mono LFE
<b>Input Filter</b> (-6dB)	2nd order low pass, variable between 50Hz – 200Hz
<b>Auto Mute</b>	After approximately 10 mins., in absence of input signal

**DRIVE UNITS**

<b>Driver Type</b>	250mm (10") long throw bass unit
--------------------	----------------------------------

**CONSTRUCTION**

<b>Enclosure type</b>	Forward firing, rear vented port
<b>Volume</b>	28.5 litres (1.01 cu.ft.)
<b>Magnetic Shielding</b>	No
<b>Dimensions (H x W x D)</b>	390 x 310 x 335mm (15.35 x 12.20 x 13.19")
<b>Weight</b>	13.0kg (28.66 lbs)
<b>Mains Voltage</b>	230V/115V nominal (switchable). 50 - 60Hz
<b>Mains Fuse</b>	T2.5AL, 250V
<b>Additional Features</b>	Phase invert switch 12V remote switching Soft limiting to avoid overload





Tannoy United Kingdom	T: 00 44 (0) 1236 420199	E: enquiries@tannoy.com
Tannoy North America	T: 00 1 (519) 745 1158	E: inquiries@tannoyna.com
Tannoy Deutschland	T: 00 49 (180) 1111 881	E: anfragen@tannoy.com
Tannoy France	T: 00 33 (0)1 7036 7473	E: ventes@tannoy.com

Tannoy adopts a policy of continuous improvement and product specification is subject to change.

[tannoy.com](http://tannoy.com)

revolution